

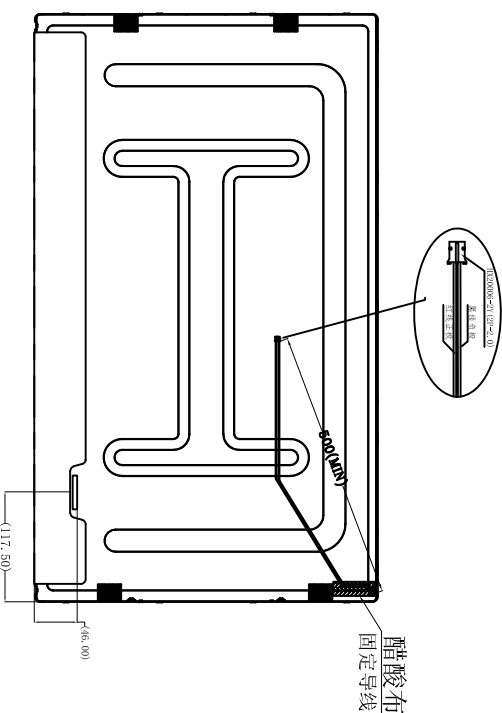
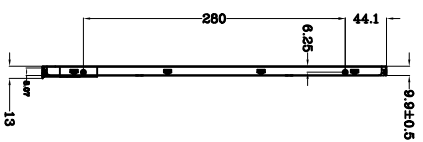
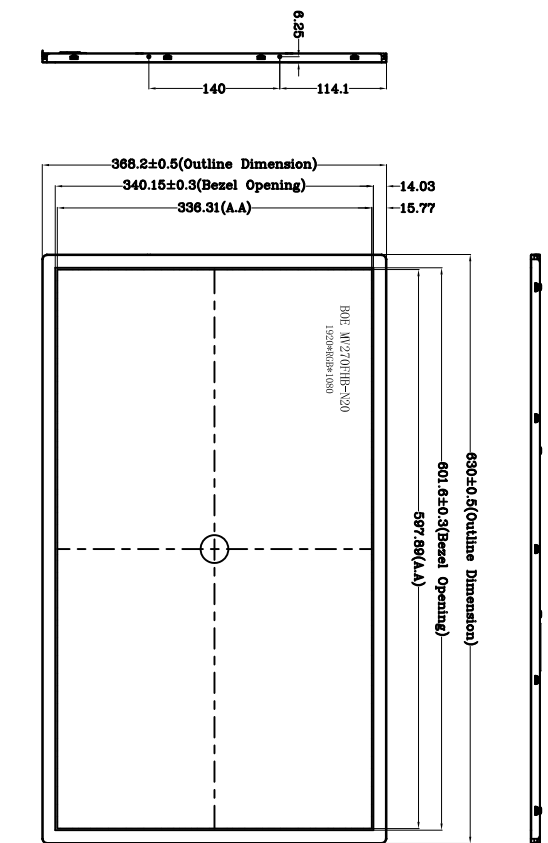
深圳市爱普拓思科技有限公司

Date: 2025-2-17 Page: 1/1 THE THIRD ANGLE

Customer Code:
Customer's P/N
Product Model

DBT270BHNS0L050B

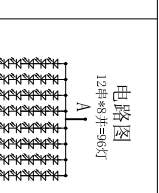
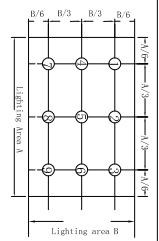
SPECIFICATION OF BACKLIGHT
Edition (版本) 01
Approval (核准)
Check (检查)
Design (设计)



黑黑单面胶:
SHIJ-202-1601
贴铁框背面4个孔位

ELECTRICAL/OPTICAL CHARACTERISTICS AT Ta=25°C

| PARAMETER | SYMBOL | MIN | TYP | MAX | UNIT | REMARK |
|---------------------------|--------|-------|-----|-------|-------------------|----------------|
| Center Luminous Intensity | Iv | 450 | 515 | | cd/m ² | Iv=560 mA(中心点) |
| coordinates | X | 0.280 | | 0.360 | | Iv=560 mA |
| | Y | 0.300 | | 0.380 | | Iv=560 mA |
| Forward Voltage | Vf | 33.6 | 36 | 38.4 | V | Iv=560 mA |
| Reverse Current | Ir | | | 50 | μA | (Iv=Ivmax)±100 |
| Luminous Tolerance | 1v-m | 75 | 80 | | % | |



| NO. | TITLE | Quantity |
|-----|--------------------------|----------|
| 11 | Connector+Wire (连接器+导线) | 1 |
| 10 | Double sided stick (双面胶) | 2 |
| 9 | HOUSING (塑胶框) | 1 |
| 8 | PCB(印制电路板) | 1 |
| 7 | Wire (导线) | 1 |
| 6 | LED (发光二极管) | 96 |
| 5 | BEF(增光片) | 3 |
| 4 | Diffuser film(扩散片) | 1 |
| 3 | Light guide plate (导光板) | 1 |
| 2 | Reflector film(反射膜) | 1 |
| 1 | Rear iron frame (下铁框) | 1 |

PARAMETER SYMBOL SPECIFICATION UNITS REMARK

| PARAMETER | SYMBOL | SPECIFICATION | UNITS | REMARK |
|-----------------------|--------|---------------|-------|--------|
| Color gamut | NTSC | | % | |
| Peak Forward Current | Ipf | | mA | |
| Reverse Voltage | Vr | 5 | V | |
| Operating Temperature | T | 0°C 10+60°C | °C | |
| Storage Temperature | T | -10°C 10+60°C | °C | |

Customer: 客户

Approval Date: 确认日期

Approve by: 确认

TEST INSTRUMENT: CM310